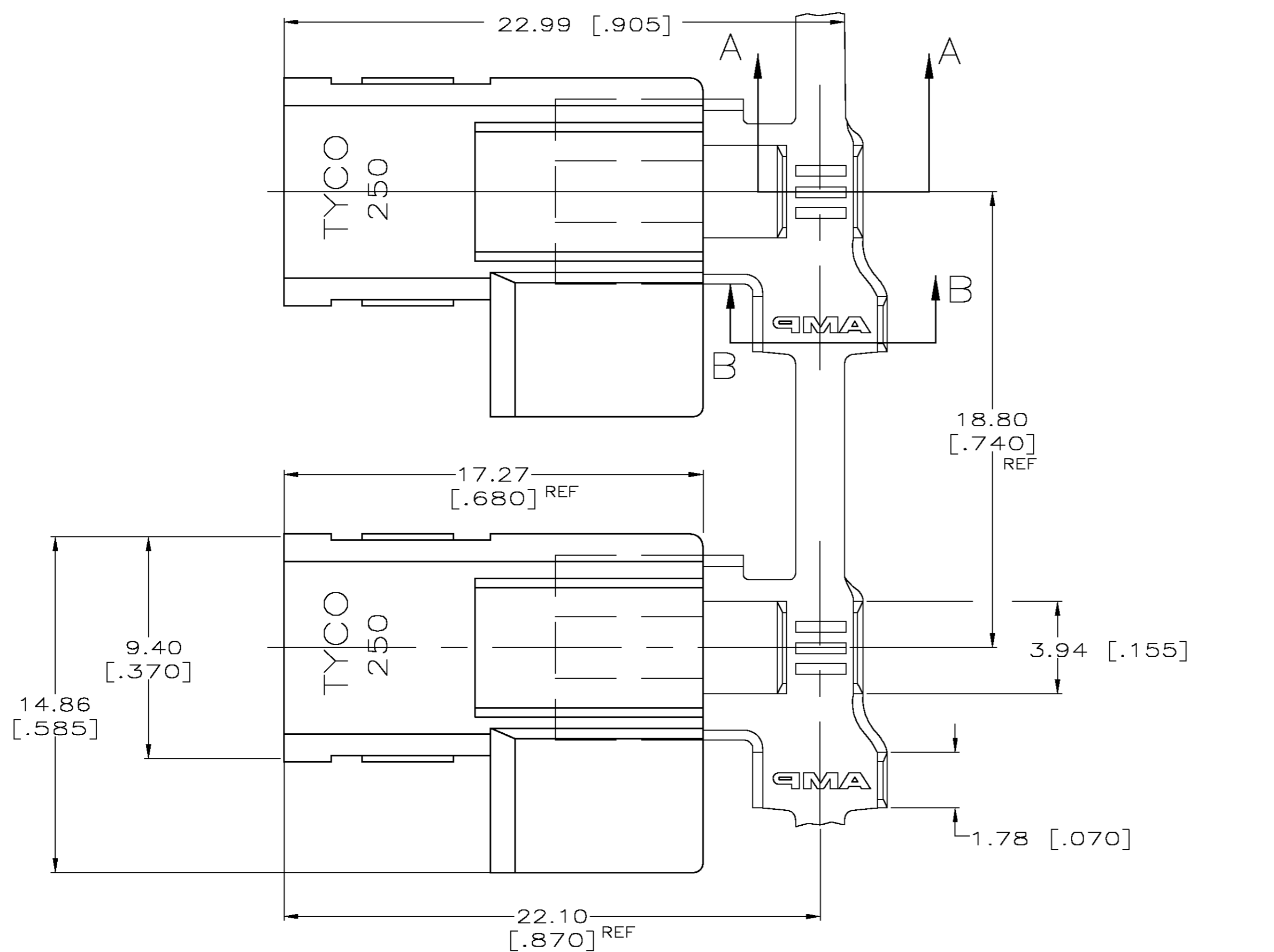
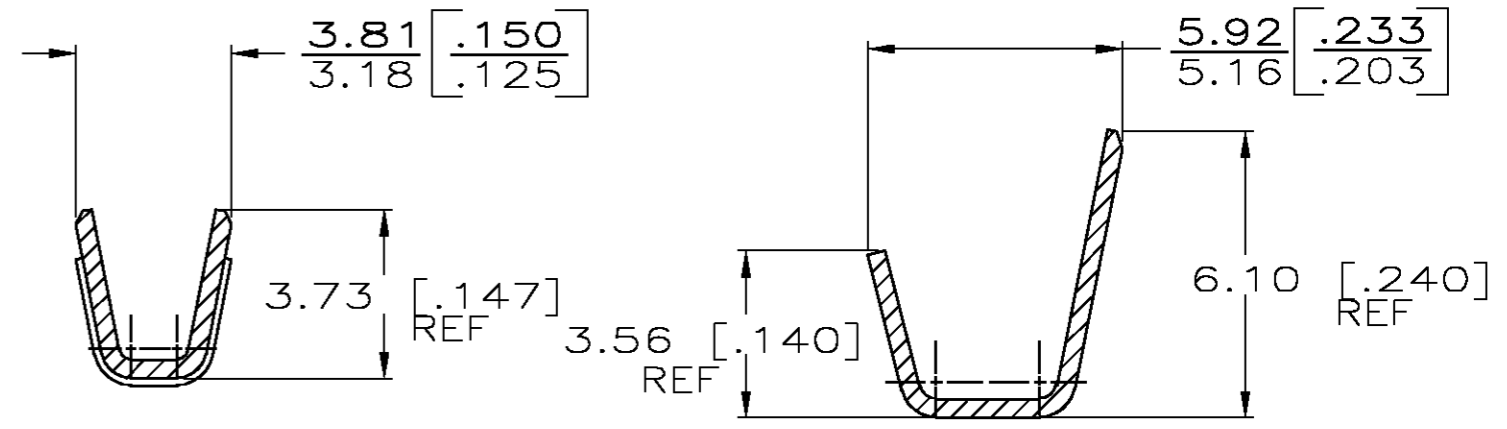


THIS DRAWING IS UNPUBLISHED. RELEASED FOR PUBLICATION
 © COPYRIGHT BY TYCO ELECTRONICS CORPORATION. ALL RIGHTS RESERVED.

LOC	DIST	REVISIONS			
P	LTR	DESCRIPTION	DATE	DWN	APVD
AF	50	W	REV PER 0G3A-0194-05	22JUN05	JR GP

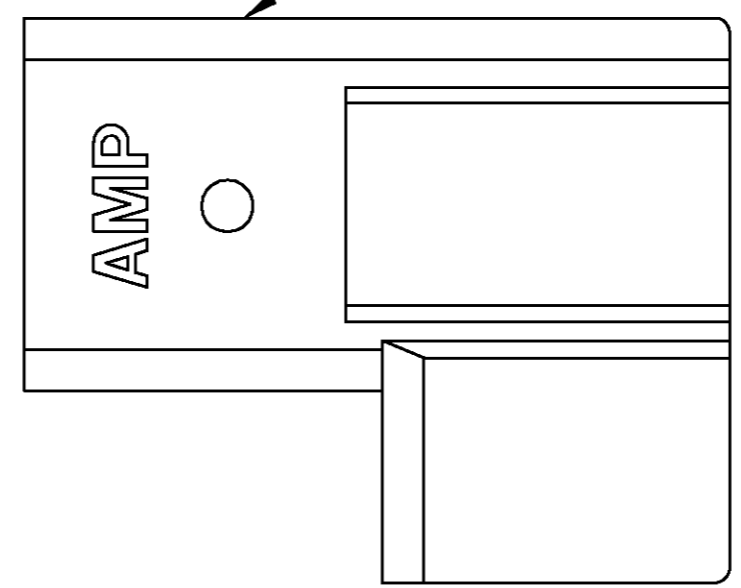
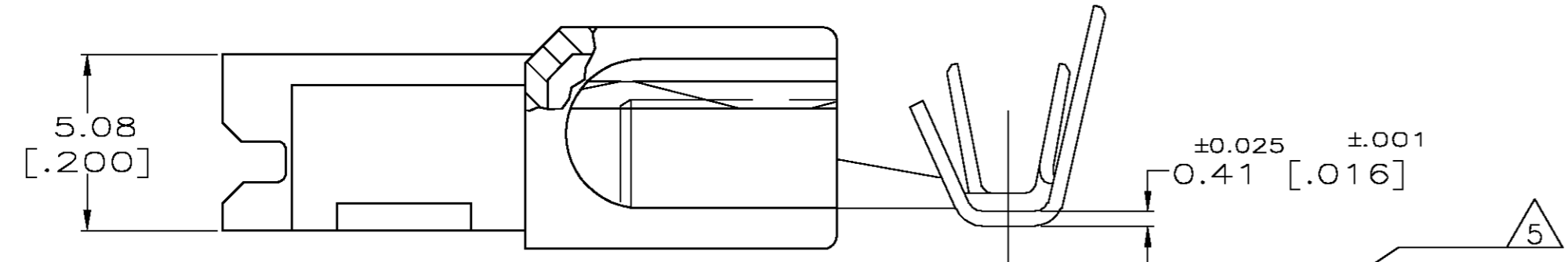


- 1 USE FLAG FASTON TERMINAL BASE P/N 63559, IN THIS PRODUCT.
- 2 WIRE SIZE IS #18-#14 AWG
- 3 INSULATION RANGE IS 2.79-4.06 DIA [.110-.160] DIA.
- 4 FITS .250 X .032 THK FASTON TAB
- 5 ALTERNATIVE HOUSING FORM



SECTION A-A

SECTION B-B



OBS	BULK	6/6 NYLON / NATURAL	TIN PLATE - 4M HARD BRASS	5-520971-2
STANDARD		6/6 NYLON / BLACK	TIN PLATE - 4M HARD BRASS	520971-4
		6/6 NYLON / NATURAL	TIN PLATE - H03 HARD PHOS BRZ	520971-3
		6/6 NYLON / NATURAL	TIN PLATE - 4M HARD BRASS	520971-2
		6/6 NYLON / NATURAL	PLAIN - 4M HARD BRASS	520971-1
PACKAGING	HOUSING MATERIAL / COLOR		TERMINAL FINISH - MATERIAL	PART NO.
THIS DRAWING IS A CONTROLLED DOCUMENT.		DWN JR RUTH 1/9/90	Tyco Electronics Corporation Harrisburg, Pa 17105-3608	
DIMENSIONS: INCHES		CHK MS FEHER 1/9/90	NAME D BRATINA	
TOLERANCES UNLESS OTHERWISE SPECIFIED: 0 PLC ± - 1 PLC ± - 2 PLC ± - 3 PLC ± 0.25 [.010] 4 PLC ± - ANGLES ± - FINISH		APVD 1/9/90	PRODUCT SPEC 108-1285	
MATERIAL SEE TABLE		APPLICATION SPEC 114-2124	SIZE A2	CAGE CODE 00779
		WEIGHT -	DRAWING NO C=520971	RESTRICTED TO -
		CUSTOMER DRAWING	SCALE 6:1	SHEET 1 OF 1
			REV W	